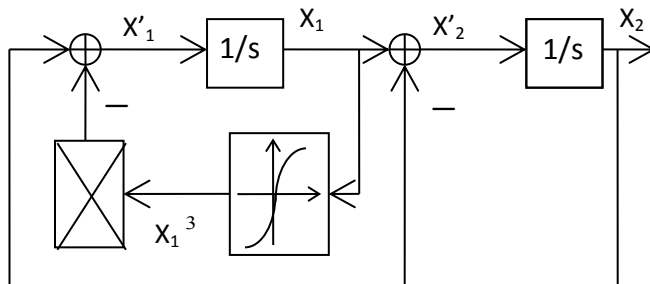


Topic: Investigate on stability by the second method of Lyapunov, using Schultz-Gibson's method

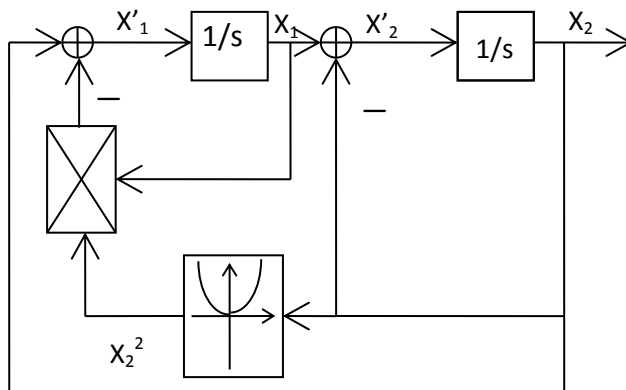
Task Obtain dynamic equations of nonlinear ACS in the state-space according to the set scheme (by variants). Investigate on stability by the second (direct) method of Lyapunov, using Schultz-Gibson's method.

Variants:

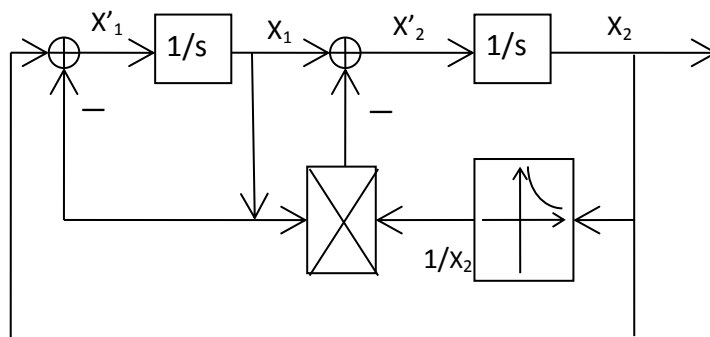
1)



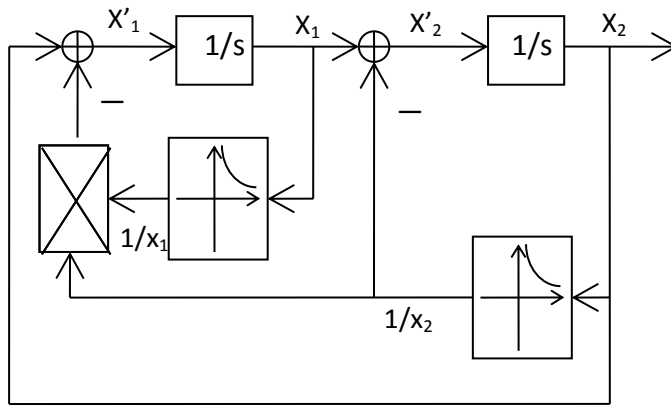
2)



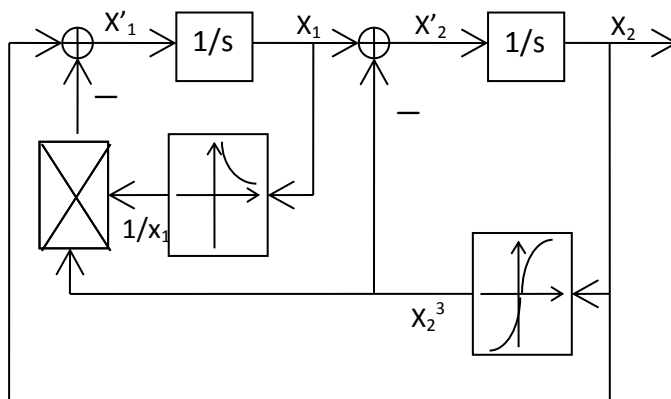
3)



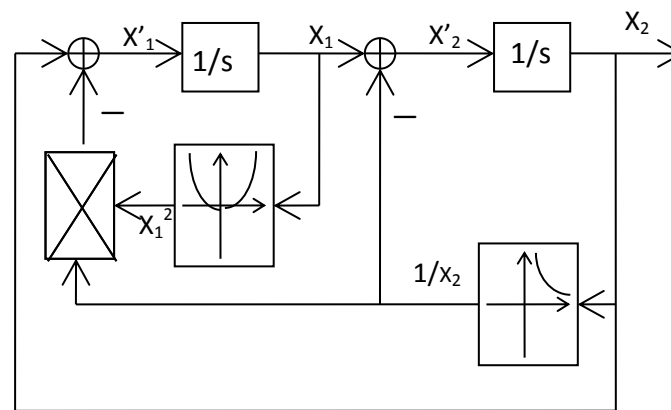
4)



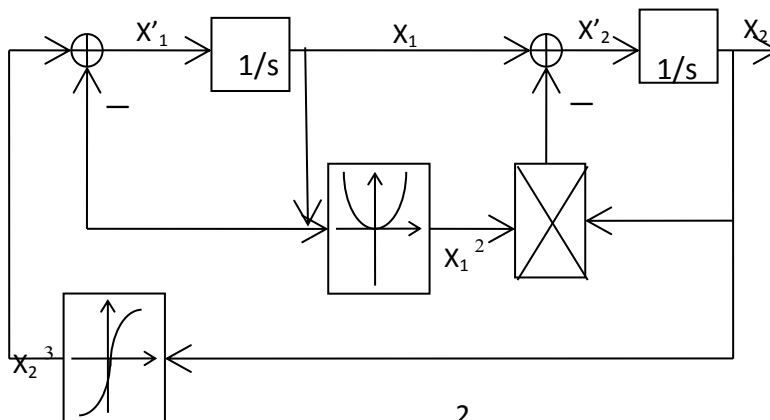
5)



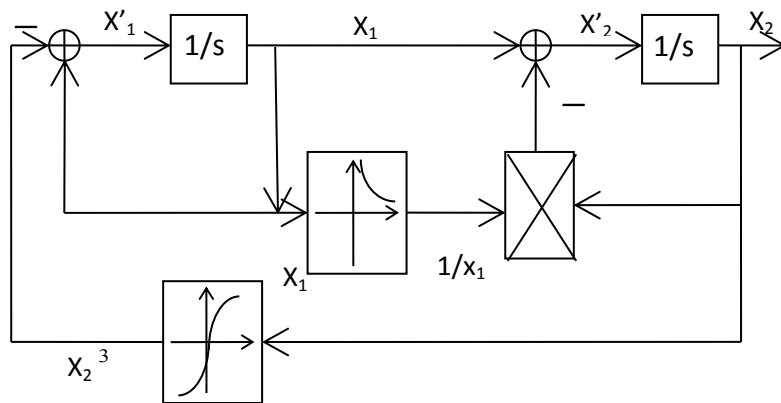
6)



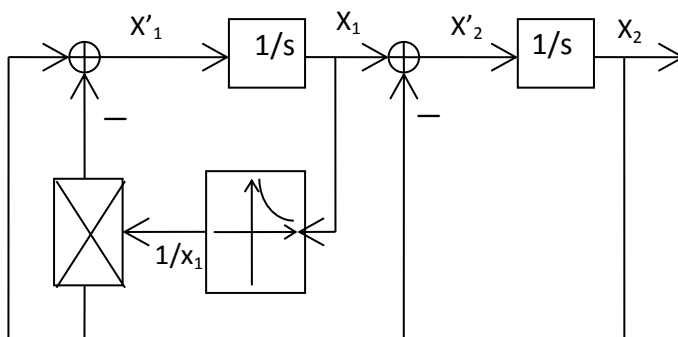
7)



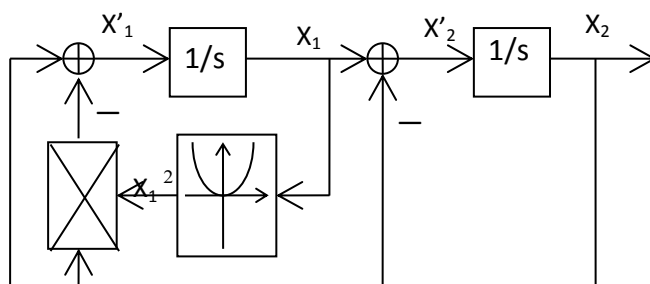
8)



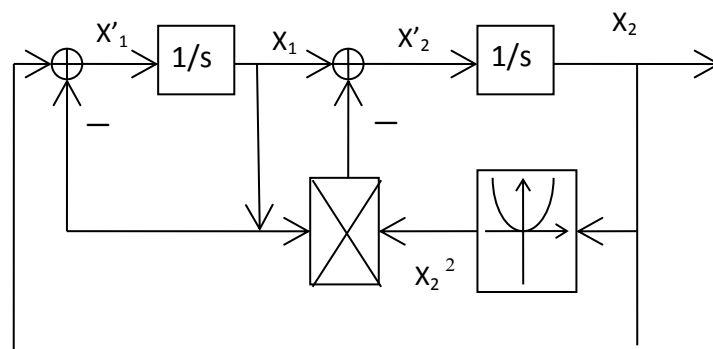
9)



10)



11)



12)

